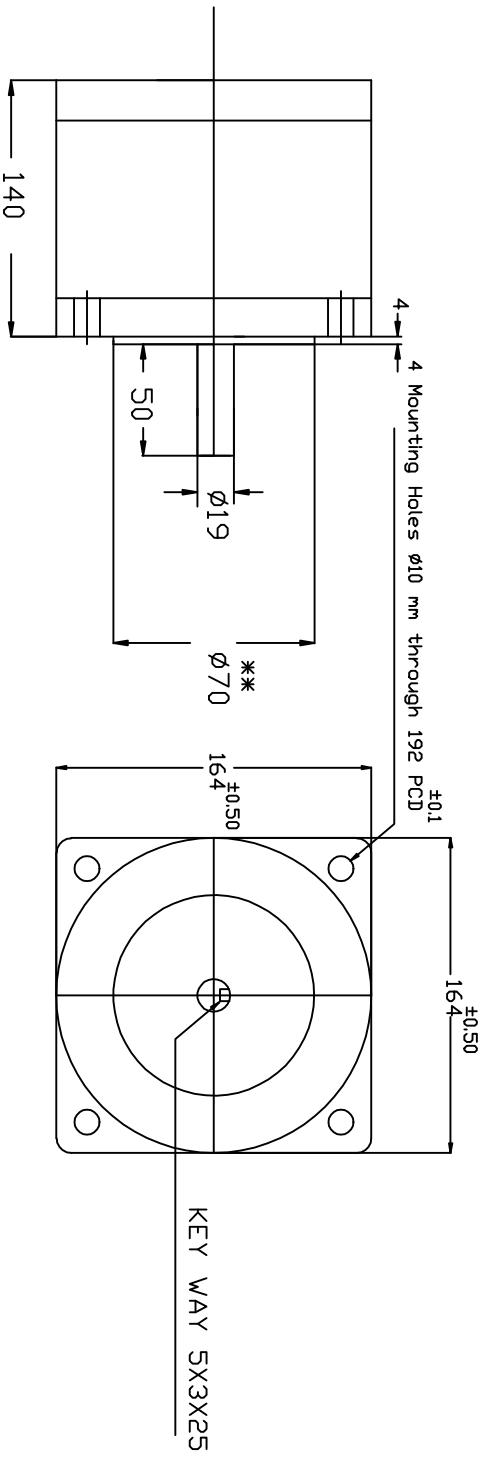


DIMENSIONAL DETAILS OF SYNCHRONOUS MOTORS (1700 SERIES)



**** BOSS DIAMETER - DIMENSION SHOWN APPLY BEFORE PAINTING**
SURFACE SQUARE TO SHAFT DIA WITHIN 0.080 MM,
SHAFT RUN OUT 0.051 MAX,
OUTPUT WIRE LENGTH 500 MM

ALL DIMENSIONS ARE IN MM
 ALL UNSPECIFIED TOLERANCE +/-0.1 MM

MOTOR DETAILS	
MOTOR TORQUE	125 Kg-cm
MOTOR WEIGHT	12 Kg

Srijan Design

Description : synchronous / Stepper Motor

Scale
N.T.S



Sheet



SRIJAN CONTROL
DRIVES
PUNE, INDIA.