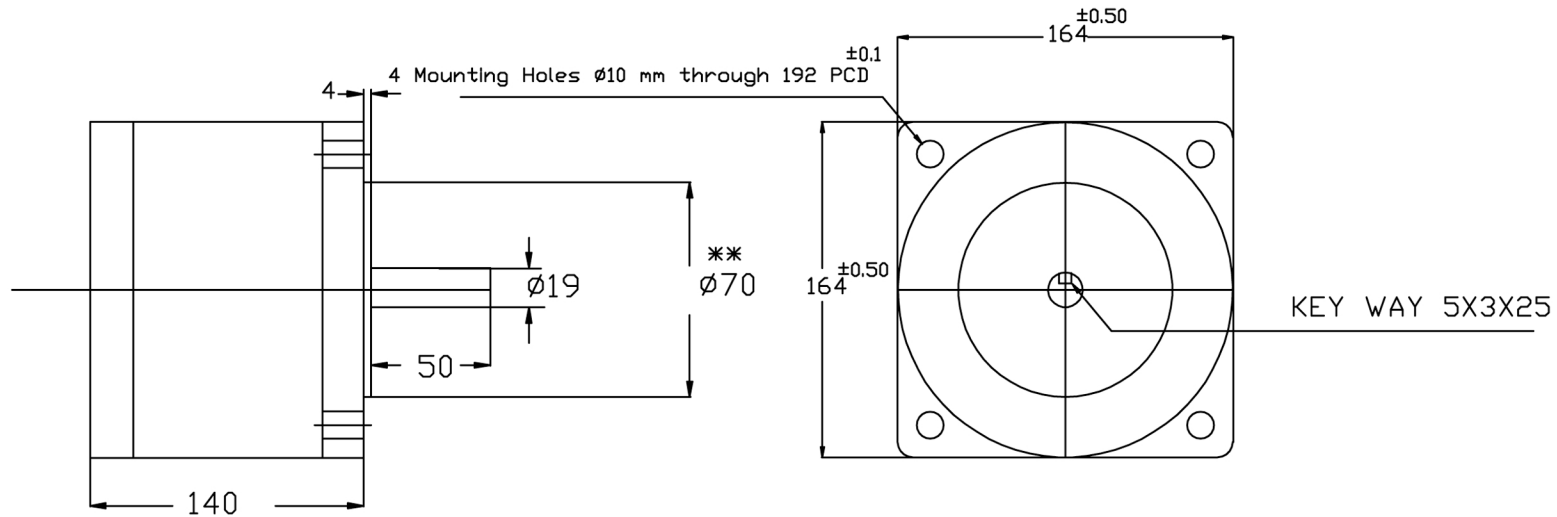



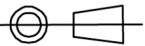
# DIMENSIONAL DETAILS OF SYNCHRONOUS MOTORS (1701 SERIES)



\*\* BOSS DIAMETER - DIMENSION SHOWN APPLY BEFORE PAINTING  
 SURFACE SQUARE TO SHAFT DIA WITHIN 0.080 MM,  
 SHAFT RUN OUT 0.051 MAX,  
 OUTPUT WIRE LENGTH 600 MM

ALL DIMENSIONS ARE IN MM  
 ALL UNSPECIFIED TOLERANCE +/-0.1 MM

MOTOR DETAILS	
MOTOR TORQUE	125 Kg-cm
MOTOR WEIGHT	12 Kg

Srijan Design	Description : synchronous Motor	
	SRIJAN CONTROL DRIVES PUNE, INDIA.	Scale N.T.S
		
		Sheet